




Customer		
Customer Address	Delivery Address (if different)	Page of
		Goods
		VAT
		Total
Contact	Delivery Method	Order Date
Tel	Despatch Route	Delivery Date
Fax	Customer Ref	
Email	Sales Contact	

OUTSIDE VIEW ONLY

LIST CODE

65mm	EXTRUSION COLOUR	CUSTOMER SIGNATURE
OUTERFRAME	White Gloss (SA018E) <input type="checkbox"/> Dual Colour <input type="checkbox"/> RAL/BS <input type="checkbox"/>	<i>All orders are subject to our terms and conditions of sale which are available at: www.a-w-s.co.uk</i>
EF011 (65mm) <input type="checkbox"/>	Grey Matt (RAL 7016) <input type="checkbox"/> External: _____ Finish: _____	
ADD-ON	Black Matt (RAL 9005) <input type="checkbox"/> Internal: _____ Finish: _____	
FT053 (22mm) <input type="checkbox"/>	Mullion Splits will be equal, unless noted, or equal glass box is ticked. Both Transoms are taken from the top of the frame.	
EF955 (42mm) <input type="checkbox"/>	OVERALL SIZES TO INCLUDE CILLS & ADD-ON'S (TRANSOM, MULLION & MIDRAIL MEASUREMENTS ARE EXCLUDING CILLS AND ADD-ON'S)	

COUPLER
UN150 Concealed <input type="checkbox"/>
FT053 (20mm) <input type="checkbox"/>
90° POST
FT050 <input type="checkbox"/>
Coupler 70mm
ETC357 - 25mm <input type="checkbox"/>


ITEM DETAILS			CILL		ADD-ON	
Item:	Qty:	Location:	No Cill	<input type="checkbox"/>	Left	<input type="checkbox"/>
Width:	Height:		ETC451 (85mm)	<input type="checkbox"/>	Right	<input type="checkbox"/>
Transom 1:			ETC457 (150mm)	<input type="checkbox"/>	Top	<input type="checkbox"/>
Transom 2:			ETC458 (190mm)	<input type="checkbox"/>	Bottom	<input type="checkbox"/>
Mullion Split:	Equal Glass <input type="checkbox"/>		ETC479 (225mm)	<input type="checkbox"/>	WINDOW TYPE	
			DRAINAGE	Face <input checked="" type="checkbox"/>	*Tilt & Turn	<input type="checkbox"/>
			Trickle (With Add-On)	<input type="checkbox"/>	B.H.O.I	<input type="checkbox"/>
			2500 <input type="checkbox"/> 5000 <input type="checkbox"/>	GLASS		
				Planitherm Total+ Argon	<input type="checkbox"/>	
				Toughened	<input type="checkbox"/>	

All items are:

800 PA
Energy B


B.H.O.I. = Bottom Hung Open In

99mm
OUTERFRAME
EF019 <input type="checkbox"/>
ADD-ON
VG558 (42mm) <input type="checkbox"/>
COUPLER
FT054 (To EF019 - 20mm) <input type="checkbox"/>
VG670 (To patio - 30mm) <input type="checkbox"/>
90° POST
VL155 <input type="checkbox"/>

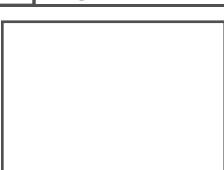
ITEM DETAILS			CILL		ADD-ON	
Item:	Qty:	Location:	No Cill	<input type="checkbox"/>	Left	<input type="checkbox"/>
Width:	Height:		ETC451 (85mm)	<input type="checkbox"/>	Right	<input type="checkbox"/>
Transom 1:			ETC457 (150mm)	<input type="checkbox"/>	Top	<input type="checkbox"/>
Transom 2:			ETC458 (190mm)	<input type="checkbox"/>	Bottom	<input type="checkbox"/>
Mullion Split:	Equal Glass <input type="checkbox"/>		ETC479 (225mm)	<input type="checkbox"/>	WINDOW TYPE	
			DRAINAGE	Face <input checked="" type="checkbox"/>	*Tilt & Turn	<input type="checkbox"/>
			Trickle (With Add-On)	<input type="checkbox"/>	B.H.O.I	<input type="checkbox"/>
			2500 <input type="checkbox"/> 5000 <input type="checkbox"/>	GLASS		
				Planitherm Total+ Argon	<input type="checkbox"/>	
				Toughened	<input type="checkbox"/>	

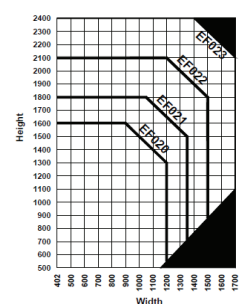
NOTES:
Sash type is dependant on size. Please refer to Page E11 of Eco Futural Technical Manual - reduced image below.

TRANSOM/MULLION
EF030 (77mm) <input type="checkbox"/>
EF032 (98mm) <input type="checkbox"/>
EF035 (Reinforced) <input type="checkbox"/>
SASH - see notes
EF020 (72mm) <input type="checkbox"/>
EF022 (93mm) <input type="checkbox"/>
EF023 (102mm) <input type="checkbox"/>

ITEM DETAILS			CILL		ADD-ON	
Item:	Qty:	Location:	No Cill	<input type="checkbox"/>	Left	<input type="checkbox"/>
Width:	Height:		ETC451 (85mm)	<input type="checkbox"/>	Right	<input type="checkbox"/>
Transom 1:			ETC457 (150mm)	<input type="checkbox"/>	Top	<input type="checkbox"/>
Transom 2:			ETC458 (190mm)	<input type="checkbox"/>	Bottom	<input type="checkbox"/>
Mullion Split:	Equal Glass <input type="checkbox"/>		ETC479 (225mm)	<input type="checkbox"/>	WINDOW TYPE	
			DRAINAGE	Face <input checked="" type="checkbox"/>	*Tilt & Turn	<input type="checkbox"/>
			Trickle (With Add-On)	<input type="checkbox"/>	B.H.O.I	<input type="checkbox"/>
			2500 <input type="checkbox"/> 5000 <input type="checkbox"/>	GLASS		
				Planitherm Total+ Argon	<input type="checkbox"/>	
				Toughened	<input type="checkbox"/>	

HANDLE COLOUR
White <input type="checkbox"/>
Silver <input type="checkbox"/>
Black <input type="checkbox"/>
Grey <input type="checkbox"/>
PREMIUM HANDLE
*Stainless Steel <input type="checkbox"/>
GLAZING
Glazed <input type="checkbox"/>
Unglazed <input type="checkbox"/>

ITEM DETAILS			CILL		ADD-ON	
Item:	Qty:	Location:	No Cill	<input type="checkbox"/>	Left	<input type="checkbox"/>
Width:	Height:		ETC451 (85mm)	<input type="checkbox"/>	Right	<input type="checkbox"/>
Transom 1:			ETC457 (150mm)	<input type="checkbox"/>	Top	<input type="checkbox"/>
Transom 2:			ETC458 (190mm)	<input type="checkbox"/>	Bottom	<input type="checkbox"/>
Mullion Split:	Equal Glass <input type="checkbox"/>		ETC479 (225mm)	<input type="checkbox"/>	WINDOW TYPE	
			DRAINAGE	Face <input checked="" type="checkbox"/>	*Tilt & Turn	<input type="checkbox"/>
			Trickle (With Add-On)	<input type="checkbox"/>	B.H.O.I	<input type="checkbox"/>
			2500 <input type="checkbox"/> 5000 <input type="checkbox"/>	GLASS		
				Planitherm Total+ Argon	<input type="checkbox"/>	
				Toughened	<input type="checkbox"/>	



*Premium Handle - Order in per item ACSM011SS & ACSZ905 Lockcase
© AAS MAR24 ECO